

CONFIDENTIAL

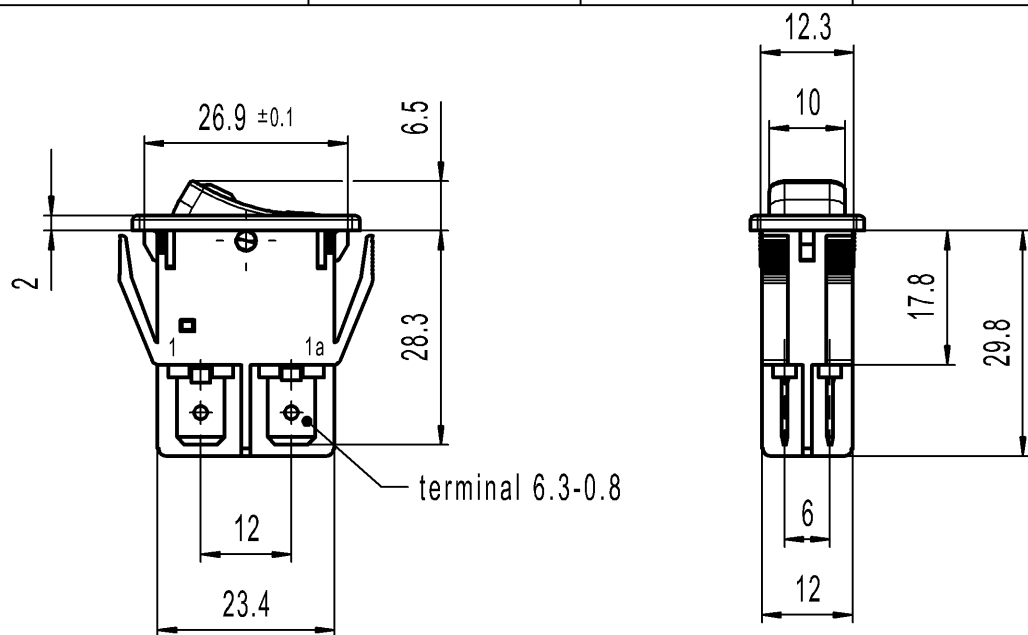
VERTRAULICH

THIS DRAWING IS THE EXCLUSIVE PROPERTY OF MARQUARDT. WITHOUT THEIR CONSENT IT MAY NOT BE REPRODUCED OR GIVEN TO THIRD PARTIES.

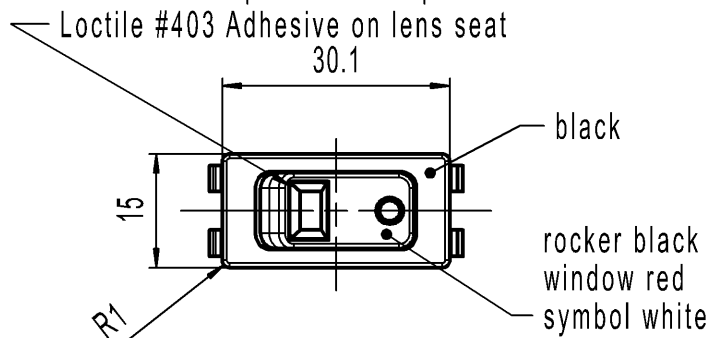
Alle Rechte bei Marquardt, auch fuer den Fall von Schutzrechtsanmeldungen. Jede Veruegungsbefugnis, wie Kopier- und Weitergaberecht, bei uns.

1	2	3	4
recommended cut-out for snap-in fixing (edge opposite to snap-in direction)	wall thickness	length of cut-out	width of cut-out
	0.8 to 5.0	27.2 ±0.1	12.2+0.2

A



B



C

Marking



155..  
16 (4) / 250 ~  
10 (4) / 250 ~ 5E4  
5/100A 250V ~



T100/55

115V Lamp  
20A 125V-250V AC  
1HP 125V AC  
2HP 250V AC

R174

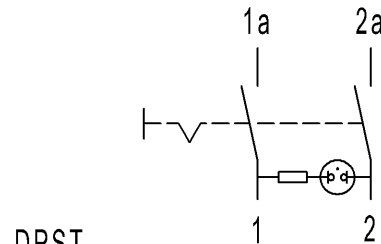
16A 250V AC  
2 HP  
R145

Code of manufacture:  
place/year/week

On box: G

G=matching IEC 60335-1:2001 clause 30

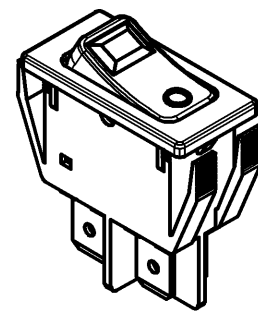
D



DPST

Neon lamp with R<sub>v</sub> for 115V AC  
Suitable for appliances of class II

E



-		-		-		1555.3125-XX		
Figure		Type		Customer No.		Art.No.-PI		
Shape and location	Angle ± 2 °	Length		Radii		Sheet	01	
	Edge tolerance	0-6	± 0.2	0-6	± 0.2	Ident.	K	
		>6-15	± 0.4	>6-15	±	Document number	15553125	
		>15-30	± 0.4	>15-30	±	Index	d	
		>30-70	± 0.6	>30-200	±	Appliance Switch		
		>70-120	±		±			
		>120-200	±		±			
			±		±			
d	134536	2020-12-08		MATHPATIR		All dimensions are in millimetres System NX V11.0 Replacement of Zg.gI.Nr.v.20.07.2006		
c	69572	2011-02-09		MUT				
b	60866	2008-10-27		HHE				
a	50866	2007-04-09		ALMSTEDS				
Index	MEC-No.	Date (YYYY-MM-DD)		Edited by		MARQUARDT		